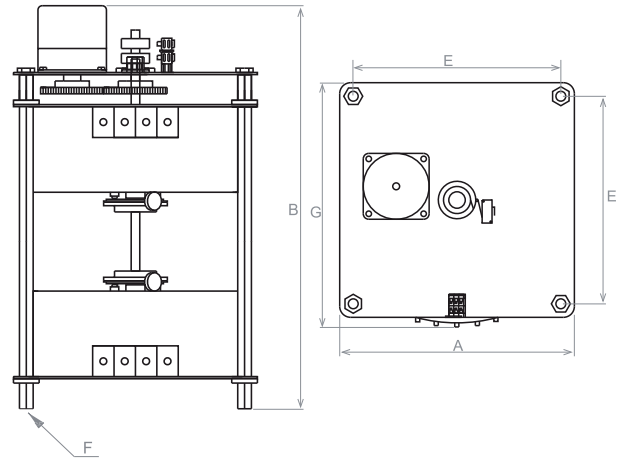


VARIADOR TENSIÓN DOBLE REGULACIÓN MOTORIZADA

160 VA x 2 – 4000 VA x 2		Entrada/Input 230V Salida/Output 230/250V						
VA	In 230 (A)	In 250 (A)	A	B	E	F	G	Kg
160x2	0.7x2	0.64x2	90	290	75	M-5	92	3.4
220x2	0.9 x2	0.88x2	90	290	75	M-5	100	4.2
350x2	1.52x2	1.4x2	120	275	100	M-6	130	8.6
350*x2	1.52x2	1.4x2	90	290	75	M-5	92	4.5
500x2	2.17x2	2x2	120	280	100	M-6	130	9.1
500*x2	2.17x2	2x2	90	290	75	M-5	92	5
750x2	3.26x2	3x2	120	300	100	M-6	130	9.2
1000x2	4.34x2	4x2	120	320	100	M-6	130	10.1
1250x2	5.43x2	5x2	135	285	112	M-6	140	11.7
1500x2	6.52x2	6x2	165	315	135	M-6	175	14.4
2000x2	8.69x2	8x2	165	335	135	M-6	175	17.1
2500x2	10.86x2	10x2	200	375	170	M-8	230	25.3
3000x2	13.04x2	12x2	235	395	195	M-8	242	33.5
4000x2	17.39x2	16x2	285	445	255	M-8	295	43.7

*Dimensiones reducidas/ Limited dimensions
In hace referencia a la intensidad nominal del variador/In it refers to the nominal current of the variable autotransformers.



5000 VA x 2 – 11000 VA x 2		Entrada/Input 230V Salida/Output 230/250V							
VA	In 230 (A)	In 250 (A)	A	B	E	F	G	H	Kg
5000x2	21.73x2	20x2	380	445	255	M-8	320	255	57
6000x2	26.01x2	24x2	520	575	380	M-10	430	470	87
7000x2	30.43x2	28x2	540	575	380	M-10	445	490	109
8000x2	34.78x2	32x2	585	575	380	M-10	490	535	122
9000x2	39.13x2	36x2	615	585	420	M-10	520	565	147
10000x2	43.47x2	40x2	665	585	420	M-12	570	615	189
11000x2	47.85x2	44x2	685	585	420	M-12	610	635	219

In hace referencia a la intensidad nominal del variador/In it refers to the nominal current of the variable autotransformers.

