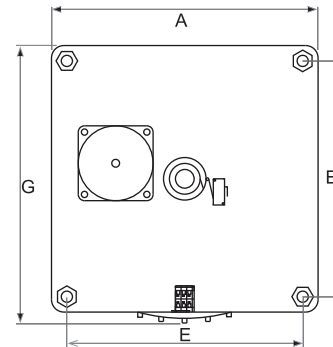
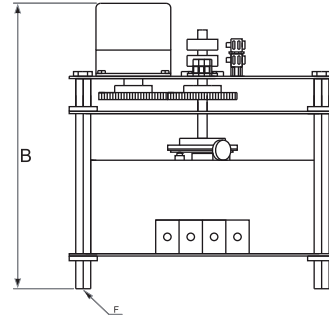


VARIADOR TENSION MONOFASICO DE REGULACIÓN MOTORIZADA

160 VA – 4000 VA		Entrada/Input 230V Salida/Output 230/250V						
VA	In 230 (A)	In 250 (A)	A	B	E	F	G	Kg
160	0.7	0.64	90	211	75	M-5	92	1.8
220	0.95	0.88	90	211	75	M-5	100	2.2
350	1.52	1.4	155	185	100	M-6	130	4.5
350*	1.52	1.4	90	211	75	M-5	100	2.9
500	2.17	2	155	190	100	M-6	130	4.8
500*	2.17	2	90	211	75	M-5	100	3.4
750	3.26	3	155	200	100	M-6	130	5
1000	4.34	4	155	210	100	M-6	130	6
1250	5.43	5	135	210	112	M-6	140	6.7
1500	6.52	6	165	205	135	M-6	175	8.6
2000	8.69	8	165	215	135	M-6	175	9.5
2500	10.86	10	220	235	170	M-8	230	14.5
3000	13.04	12	235	245	195	M-8	242	18.5
4000	17.39	16	285	300	255	M-8	295	25

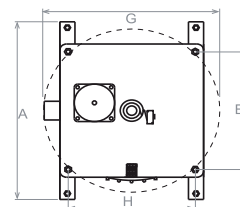
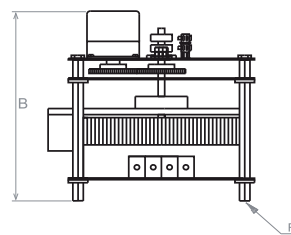
\*Dimensiones reducidas/ limited dimensions  
In hace referencia a la intensidad nominal del variador/In it refers to the nominal current of the variable autotransformers.



5000 VA – 11000 VA		Entrada/Input 230V Salida/Output 230/250V							
VA	In 230 (A)	In 250 (A)	A	B	E	F	G	H	Kg
5000	21.73	20	380	300	255	M-8	320	255	27
6000	26.01	24	520	350	380	M-12	430	470	48
7000	30.43	28	540	350	380	M-12	445	490	56
8000	34.78	32	585	350	380	M-12	490	235	64
9000	39.13	36	615	360	420	M-12	520	565	75
10000	43.47	40	665	360	420	M-12	570	615	91
11000	47.85	44	685	360	420	M-12	610	635	106

In hace referencia a la intensidad nominal del variador/In it refers to the nominal current of the variable autotransformers.

5000 VA



6000 VA - 11000 VA

