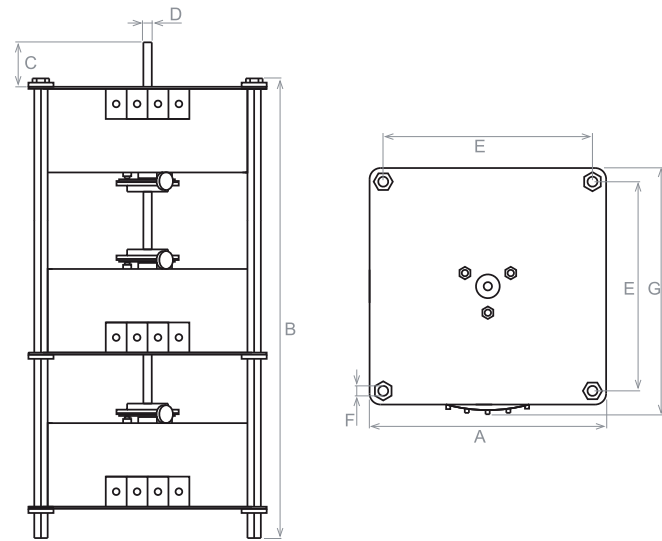


VARIADOR TENSIÓN TRIFÁSICO REGULACIÓN MANUAL

480 VA – 12000 VA		Entrada/Input 400V Salida/Output 400/430V								
VA	In 400 (A)	In 430 (A)	A	B	C	D	E	F	G	Kg
480	0.7x3	0.64x3	90	255	50	6	75	M-5	92	4.4
660	0.9x3	0.88x3	90	255	50	6	75	M-5	100	5.6
1000	1.52x3	1.4x3	120	305	70	6	100	M-6	130	9.4
1000*	1.52x3	1.4x3	90	255	50	6	75	M-5	92	8
1500	2.17x3	2x3	120	315	70	6	100	M-6	130	11
1500*	2.17x3	2x3	90	255	50	6	75	M-5	92	10.4
2250	3.26x3	3x3	120	345	70	6	100	M-6	130	11.5
3000	4.34x3	4x3	120	375	70	6	100	M-6	130	13.5
3750	5.43x3	5x3	135	375	70	6	112	M-6	140	16
4500	6.52x3	6x3	165	360	70	8	135	M-6	175	20.5
6000	8.69x3	8x3	165	390	70	8	135	M-6	175	23.5
7500	10.86x3	10x3	200	445	70	8	170	M-8	230	35
9000	13.04x3	12x3	235	475	70	8	195	M-8	242	45
12000	17.39x3	16x3	285	520	90	8	255	M-8	295	61

In hace referencia a la intensidad nominal del variador/In it refers to the nominal current of the variable autotransformers.



15000 VA – 33000 VA		Entrada/Input 400 V Salida/Output 400/430V									
VA	In 400 (A)	In 430 (A)	A	B	C	D	E	F	G	H	Kg
15000	21.73x3	20x3	380	520	90	10	255	M-8	320	255	64.5
18000	26.01x3	24x3	520	645	155	12	380	M-10	430	470	119
21000	30.43x3	28x3	540	645	155	12	380	M-10	445	490	126
24000	34.78x3	32x3	585	645	155	12	380	M-10	490	535	157
27000	39.13x3	36x3	615	675	165	12	420	M-10	520	565	188
30000	43.47x3	40x3	665	675	165	15	420	M-12	570	615	220
33000	47.85x3	44x3	685	675	165	15	420	M-12	610	635	275

In hace referencia a la intensidad nominal del variador/In it refers to the nominal current of the variable autotransformers.

