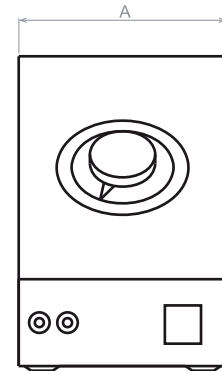
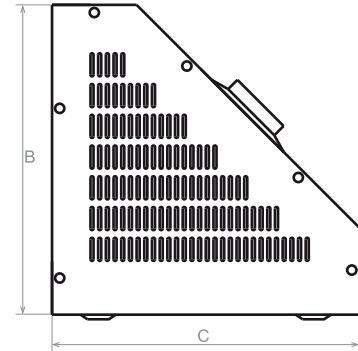
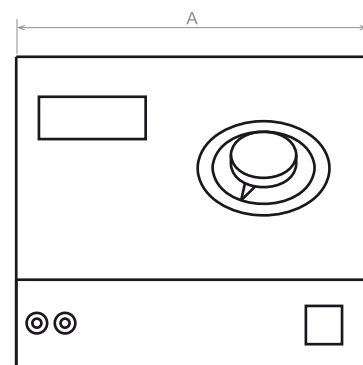
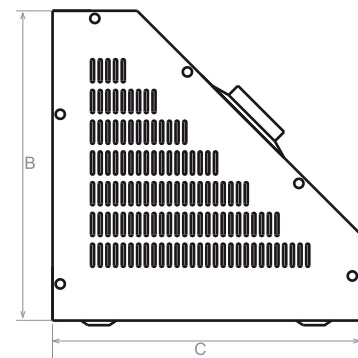


**VARIADOR DE TENSION DE SOBREMESA**



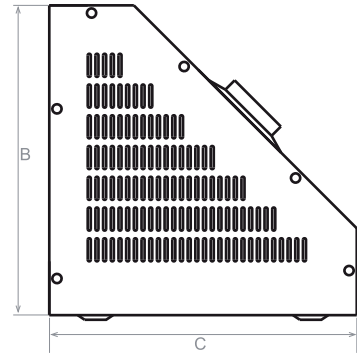
Sin instrumentos / Without display						
VA	In 230 (A)	In 250 (A)	A	B	C	Kg
160	0.7	0.64	140	200	200	1.5
220	0.95	0.88	140	200	200	1.8
350	1.52	1.4	140	200	200	3.5
500	2.17	2	140	200	200	4
750	3.26	3	140	200	200	5
1000	4.34	4	140	200	200	6
1250	5.43	5	140	200	200	6.5

In hace referencia a la intensidad nominal del variador/In it refers to the nominal current of the variable autotransformers.



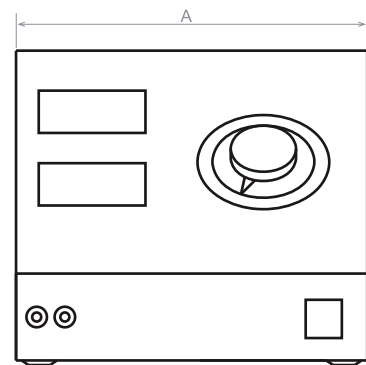
Con instrumento / With display						
VA	In 230 (A)	In 250 (A)	A	B	C	Kg
160	0.7	0.64	140	200	200	1.8
220	0.95	0.88	140	200	200	2.1
350	1.52	1.4	140	200	200	3.8
500	2.17	2	140	200	200	4.3
750	3.26	3	240	200	200	7
1000	4.34	4	240	200	200	8
1250	5.43	5	240	200	200	8.5

In hace referencia a la intensidad nominal del variador/In it refers to the nominal current of the variable autotransformers.



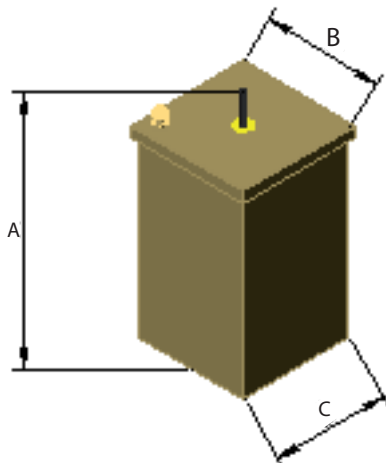
Con dos instrumentos / With two displays						
VA	In 230 (A)	In 250 (A)	A	B	C	Kg
160	0.7	0.64	240	200	200	5
220	0.95	0.88	240	200	200	5.3
350	1.52	1.4	240	200	200	6.3
500	2.17	2	240	200	200	6.8
750	3.26	3	240	200	200	7.3
1000	4.34	4	240	200	200	8.3
1250	5.43	5	240	200	200	9

In hace referencia a la intensidad nominal del variador/In it refers to the nominal current of the variable autotransformers.



**VARIADOR TENSIÓN EN CUBA DE ACEITE**

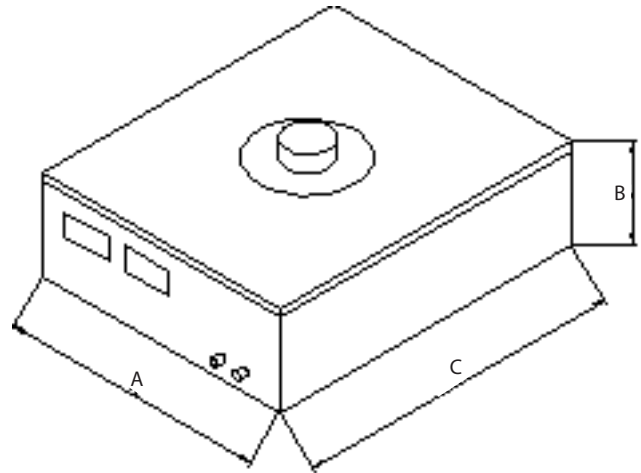
		1500 VA – 11000 VA		Entrada/Input 230V Salida/Output 230/250V				
		VA	In 230 (A)	In 250 (A)	A	B	C	Kg
Monofásico Single phase 230V/250V		5000	21.73	20	435	390	390	42
		6000	26.01	24	450	590	495	63
		7000	30.43	28	450	610	515	71
		8000	34.78	32	450	655	480	79
		9000	39.13	36	450	685	580	90
		10000	43.47	40	510	735	640	105
		11000	47.85	44	510	756	680	121
Trifásico Triple phase 230V/250V		15000	21.73x3	20x3	725	390	390	98
		18000	26.01x3	24x3	900	590	495	155
		21000	30.43x3	28x3	900	610	515	163
		24000	34.78x3	32x3	900	655	460	190
		27000	39.13x3	36x3	960	685	580	225
		30000	43.47x3	40x3	960	735	640	260
		33000	47.85x3	44x3	960	756	680	315



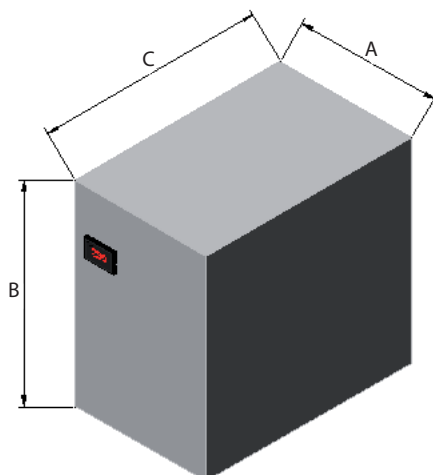
**VARIADOR TENSIÓN EN CAJA INDUSTRIAL MONOFASICO**

1500 VA – 11000 VA		Entrada/Input 230V Salida/Output 230/250V				
VA	In 230 (A)	In 250 (A)	A	B	C	Kg
1500	6.52	6	300	300	200	10
2000	8.69	8	300	300	200	12
2500	10.86	10	300	300	200	14
3000	13.04	12	300	300	200	17
4000	17.39	16	400	400	200	21
5000	21.73	20	400	400	200	27
6000	26.01	24	600	600	250	57.6
7000	30.43	28	600	600	250	67.2
8000	34.78	32	600	600	250	76.8
9000	39.13	36	800	800	300	90
10000	43.47	40	800	800	300	109.2
11000	47.85	44	800	800	300	127.2

In hace referencia a la intensidad nominal del variador/In it refers to the nominal current of the variable autotransformers.



**VARIADOR TENSIÓN EN CAJA INDUSTRIAL TRIFASICO**



480 VA – 33000 VA		Entrada/Input 400V Salida/Output 400/430V				
VA	In 230 (A)	In 250 (A)	A	B	C	Kg
480	0.7x3	0.64x3	250	250	150	6
660	0.9x3	0.88x3	250	250	150	8
1000	1.52x3	1.4x3	300	300	150	12.4
1500	2.17x3	2x3	300	300	150	13.5
2250	3.26x3	3x3	300	300	150	14.5
3000	4.34x3	4x3	400	400	200	17.5
3750	5.43x3	5x3	400	400	200	19
4500	6.52x3	6x3	400	400	250	24.5
6000	8.69x 3	8x3	400	400	250	27.5
7500	10.86x3	10x3	400	400	250	39
9000	13.04x3	12x3	600	600	300	52
12000	17.39x3	16x3	640	640	440	68
15000	21.73x3	20x3	640	640	440	71
18000	26.01x3	24x3	745	745	495	129
21000	30.43x3	28x3	745	745	495	136
24000	34.78x3	32x3	850	850	550	177
27000	39.13x3	36x3	850	850	550	208
30000	43.47x3	40x3	1000	1000	605	240
33000	47.85x3	44x3	1000	1000	700	295

In hace referencia a la intensidad nominal del variador/In it refers to the nominal current of the variable autotransformers.