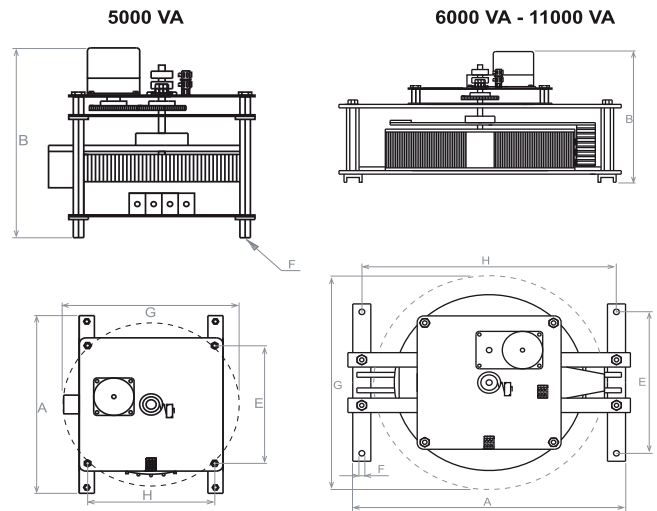


5000 VA – 11000 VA		Entrada/Input 230V Salida/Output 230/250V							
VA	In 230 (A)	In 250 (A)	A	B	E	F	G	H	Kg
5000	21.73	20	380	300	255	M-8	320	255	27
6000	26.01	24	520	350	380	M-12	430	470	48
7000	30.43	28	540	350	380	M-12	445	490	56
8000	34.78	32	585	350	380	M-12	490	235	64
9000	39.13	36	615	360	420	M-12	520	565	75
10000	43.47	40	665	360	420	M-12	570	615	91
11000	47.85	44	685	360	420	M-12	610	635	106

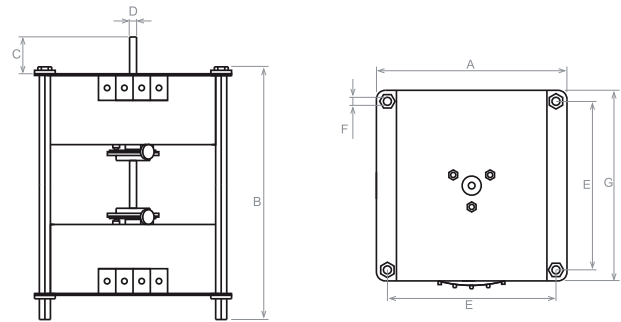
In hace referencia a la intensidad nominal del variador/In it refers to the nominal current of the variable autotransformers.



DOUBLE VARIABLE AUTOTRANSFORMERS (MANUAL CONTROL)

160 VA x 2 – 4000 VA x 2		Entrada/Input 230V Salida/Output 230/250V								
VA	In 230 (A)	In 250 (A)	A	B	C	D	E	F	G	Kg
160x2	0.7x2	0.64x2	90	180	50	6	75	M-5	92	2.9
220x2	0.9 x2	0.88x2	90	180	50	6	75	M-5	100	3.7
350x2	1.52x2	1.4x2	120	215	70	6	100	M-6	130	6.3
350*x2	1.52x2	1.4x2	90	180	50	6	75	M-5	92	4
500x2	2.17x2	2x2	120	220	70	6	100	M-6	130	6.9
500*x2	2.17x2	2x2	90	180	50	6	75	M-5	92	4.5
750x2	3.26x2	3x2	120	240	70	6	100	M-6	130	7.7
1000x2	4.34x2	4x2	120	260	70	6	100	M-6	130	9
1250x2	5.43x2	5x2	135	215	70	6	112	M-6	140	10.7
1500x2	6.52x2	6x2	165	245	70	8	135	M-6	175	13.7
2000x2	8.69x2	8x2	165	25	70	8	135	M-6	175	15.6
2500x2	10.86x2	10x2	200	312	70	8	170	M-8	230	23.3
3000x2	13.04x2	12x2	235	335	70	8	195	M-8	242	30
4000x2	17.39x2	16x2	285	365	90	8	255	M-8	295	41

*Dimensiones reducidas/ limited dimensions
In hace referencia a la intensidad nominal del variador/In it refers to the nominal current of the variable autotransformers.



5000 VA x2

6000 VA x2 - 11000 VA x2

5000 VA x 2 – 11000 VA x 2		Entrada/Input 230V Salida/Output 230/250V									
VA	In 230 (A)	In 250 (A)	A	B	C	D	E	F	G	H	Kg
5000x2	21.73x2	20x2	380	365	90	10	255	M-8	320	255	50
6000x2	26.01x2	24x2	520	460	155	12	380	M-10	430	470	80
7000x2	30.43x2	28x2	540	460	155	12	380	M-10	445	490	102
8000x2	34.78x2	32x2	585	460	155	12	380	M-10	490	535	115
9000x2	39.13x2	36x2	615	480	165	12	420	M-10	520	565	140
10000x2	43.47x2	40x2	665	480	165	15	420	M-12	570	615	182
11000x2	47.85x2	44x2	685	480	165	15	420	M-12	610	635	212

In hace referencia a la intensidad nominal del variador/In it refers to the nominal current of the variable autotransformers.

